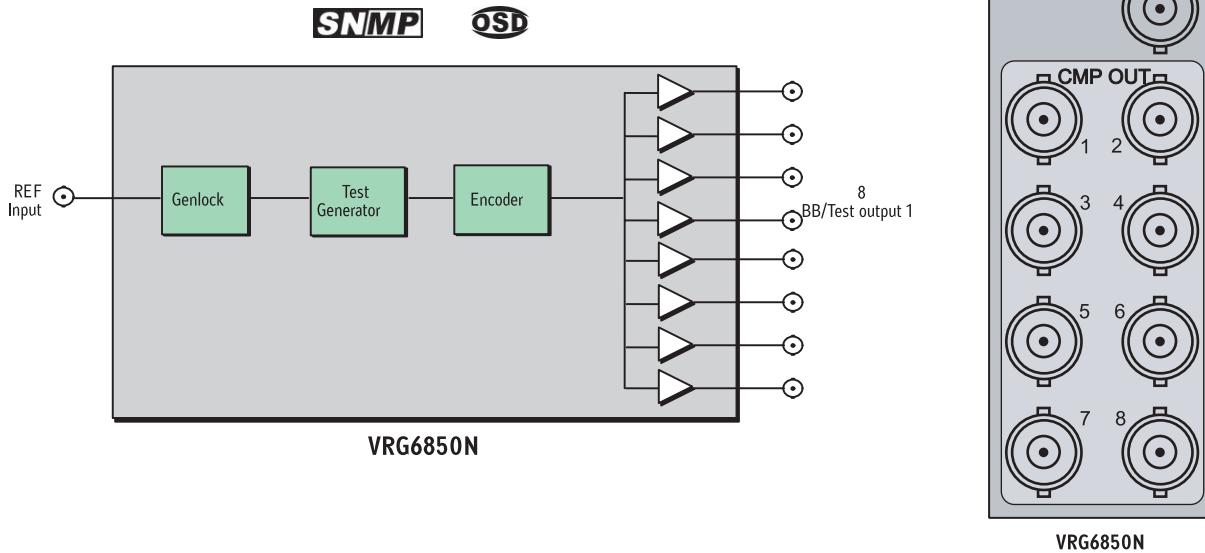


VRG6850N

Analog Black Burst Generator

VRG6850N is an analog black burst generator. It has 8ch black burst outputs and 1ch of external genlock input. VRG6850N can generate high stable black burst with its internal temperature-compensation crystal oscillator black field signal.



Features

- High stable analog black field generating
- Color Bar generating
- Adjustable phasing
- Support Reference Signal

Specifications

Analog Composite Output

Analog Composite Output: NTSC, PAL-B
 Output Number: 8
 Impedance: 75 ohm
 Connector: BNC(IEC 169-8)
 Return Loss: >40dB to 5.75 MHz
 Quantization: 12 bits
 DC Offset : +/- 5mV

Reference Input

Standard: Analog color bar or analog black burst
 Connector: BNC(IEC 169-8)
 Impedance: 75 ohm

Phasing

Range Infinite: 1 frame
 Resolution: 0,5ns

Master Crystal Stability

Initial: 2 PPM
 vs. Time: 2 PPM/Year
 vs. Temperature: 2 PPM, 0°C to +50°C

Power Consumption

Power: 2.2W
 Positive Rail: 300 mA
 Negative Rail: 35 mA

**Specifications are subject to change without notice.*

Ordering Information

VRG6850N

Analog Black Burst Generator