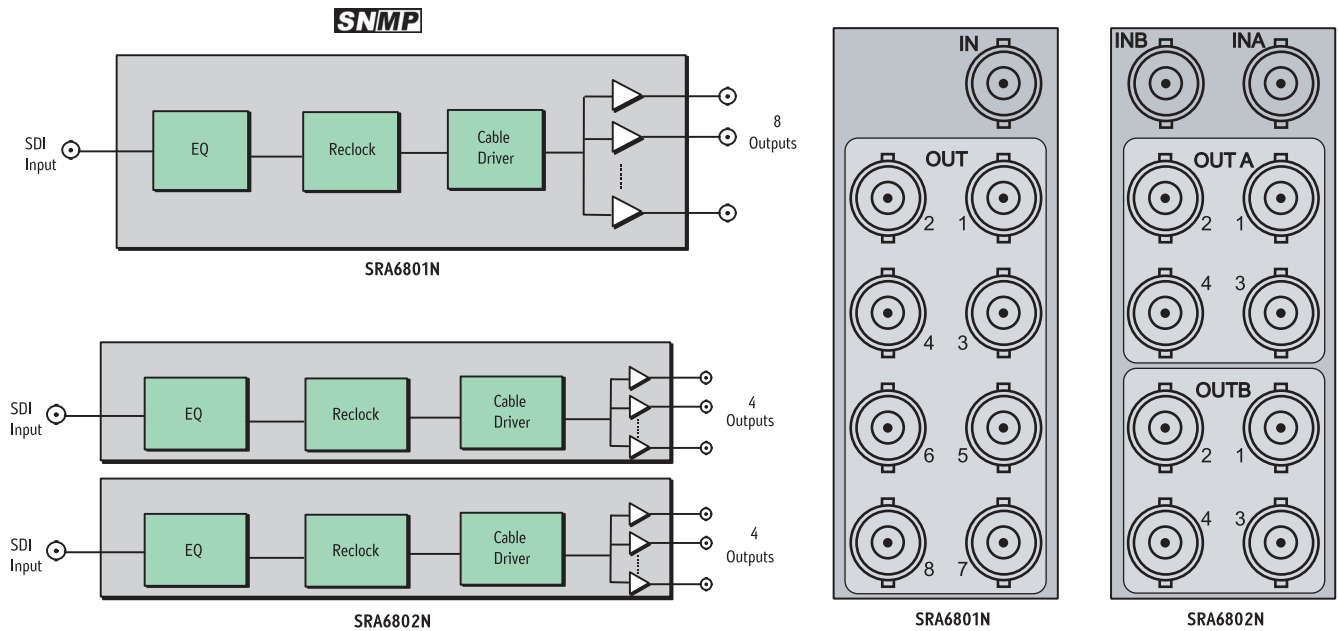


SRA6801N/SRA6802N

SD-SDI Reclocking and Equalizing Distribution Amplifier

The SRA6801N/SRA6802N is a SD-SDI distribution amplifier with equalization and reclocking. These modules can compensate for 300 meter of Belden 8281 cable transmission loss. The SRA6801N has one input and eight outputs, and the SRA6802N has two inputs each with four outputs, or it can be set for eight outputs via jumper.



Features

- Compensation for 300m of Belden 8281 cable transmission loss
- Both modules with reclocking and equalization

Specifications

SDI Video Input

Signal Type: SDI, ASI
 Connector: BNC (IEC169-8)
 Impedance: 75 ohm
 Return Loss: >18 dB 5 MHz to 540 MHz
 Cable Equalization: 300 m Belden 8281

Power Consumption

Power: SRA6801N: 2.0W; SRA6802N: 3.25W
 Positive Rail: SRA6801N: 300mA; SRA6802N: 500mA
 Negative Rail: SRA6801N: 0mA; SRA6802N: 0mA

SDI Video Output

Numbers of Output: SDI: 8; ASI: 4
 Signal Type: SDI, ASI
 Connector: BNC(IEC169-8)
 Impedance: 75 ohm
 Return Loss: >18dB 5 MHz to 540 MHz
 Signal Level: 800 mV +/- 10%
 DC Offset: 0.0 V +/- 0.5V
 Rise and Fall Time: 400 to 700 pS
 Overshoot: < 10%
 Jitter: <0.2 UI
 Propagation: <12.5 ns

Ordering Information

SRA6801N

SD-SDI reclocked distribution amplifier with EQ 1x8

SRA6802N

Dual SD-SDI reclocked distribution amplifier with EQ 2-1x4; or it can be set for 8 outputs via jumper

*Specifications are subject to change without notice.