

SMX6811N(S)8/SMX6812N(S)8

8-Channel AES Audio Embedding Module

The SMX6811N(S)8/SMX6812N(S)8 is an 8-channel AES audio embedding module. All modules support 4 pairs (8 channels) of AES audio embedding. The user can choose either input audio or other audio synthesized by the system and set them into two groups via the menu and embed them into any of the two groups out of the four audio groups.

Each module has its distinct feature as follows:

The SMX6811N8 has 4 pairs of unbalanced AES inputs;

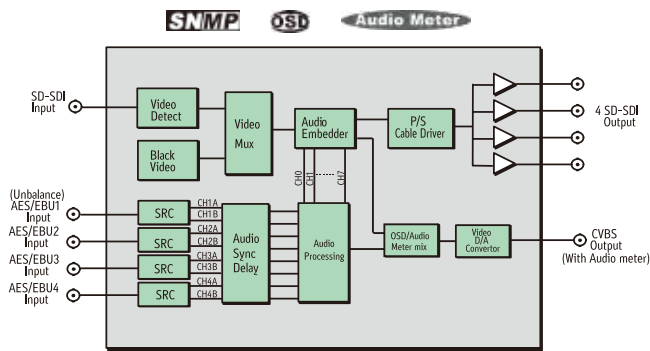
The SMX6811NS8 has 4 pairs of unbalanced AES inputs and audio tracking;

The SMX6812N8 has 4 pairs of balanced AES inputs;

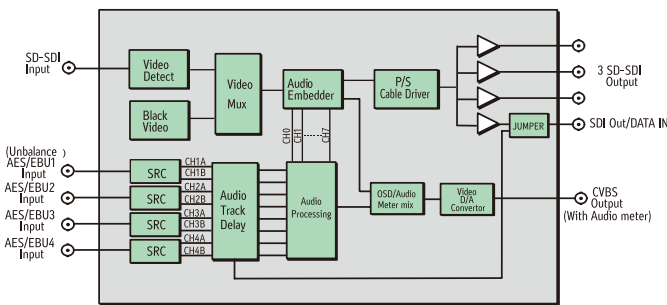
The SMX6812NS8 has 4 pairs of balanced AES inputs and audio tracking;

Features

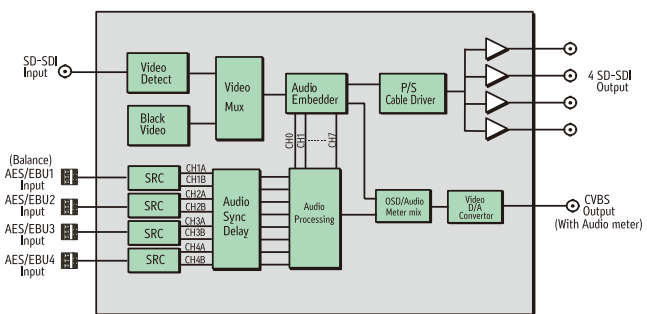
- Audio embedding in 525/625 video standard
- 4 pairs (8-channel) AES audio embedding
- 20-bit and 24-bit audio embedding
- Both embedded audio group and embedded mode are selectable
- AES output
- Audio tracking(only applicable to SMX6811NS8&SMX6812NS8)
- Embedded SDI output with reclocking
- One analog composite video output monitoring
- SD-SDI video input auto detection and input status feedback
- 4-channel audio metering display
- Embedding tone signal at fixed frequency rate
- Maximum 1.3 seconds audio delay
- Audio gain adjustment, invert and mute
- Input EDH monitoring
- Re-insert EDH
- Freeze frame, black field and video loss detection
- Audio loss and audio overload detection



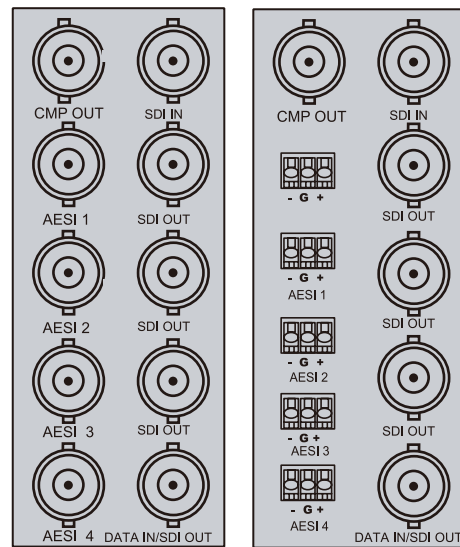
SMX6811N8



SMX6811NS8

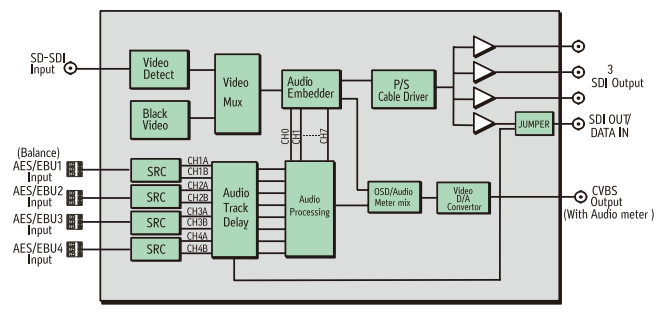


SMX6812N8



SMX6811N8
SMX6811NS8

SMX6812N8
SMX6812NS8



SMX6812NS8

SMX6811N(S)8/SMX6812N(S)8

Specifications

SDI Video Input

Standard: SMPTE 259M,270 Mbps, 525/625 Component
Impedance: 75ohm
Return Loss: >18dB to 270MHz
Connector: BNC (IEC169-8)
Equalization: Automatic equalizing to 30dB@270 Mbps

SDI Video Output

Standard: SMPTE 259M-C; 270 Mbps, 525/625 component
Connector: BNC (IEC169-8)
Impedance: 75ohm
Return Loss: >18dB to 270MHz
Signal Level: 800 mV ± 10%
DC Offset: 0 V ± 0.5 V
Rise and Fall Time: 400 to 1500ps, 20% to 80% of amplitude
Overshoot: <10% of amplitude
Jitter: <0.2 UI, 740ps, Peak, typical <500ps

Analog Composite Video Output

Standard: NTSC, PAL or PAL-M
Level: 1Vp-p +/-3dB
Impedance: 75ohm
Return Loss: >40 dB to 5 MHz
DC Offset: 0V±0.05 V
Frequency Response: ±0.2 dB to 5 MHz
Differential Gain: <1%
Differential Phase: <1.5°
Group Delay: +/-10ns to 5 MHz

Unbalanced AES Input

Connector: BNC(IEC 169-8)
Impedance: 75ohm
Signal standard: AES3,1992,AES3id,1995,SMPTE276M
Rise and Fall Time: 30 to 44ns

Balanced AES Input (applicable to SMX6812N(S)8)

Connector: 3-pin (male)
Standard: AES 3,1992,AES3id,1995,SMPTE276M
Impedance: 110ohm
Rise and Fall Time: 5 to 30ns

DATA IN

Input Impedance: 75ohm/high impedance (jumper selectable)
Input Sensitivity: 500mV pk to pk (minimum value)
Input Cable Length: 100 meter
Return Loss: <-20dB

Power Consumption

Power: 3.5W
Positive Rail: 600mA
Negative Rail: 10mA

**Specifications are subject to change without notice.*

Ordering Information

SMX6811N8

8-channel unbalanced AES/EBU embedding module

SMX6811NS8

8-channel unbalanced AES/EBU embedding module with audio tracking

SMX6812N8

8-channel balanced AES/EBU embedding module

SMX6812NS8

8-channel balanced AES/EBU embedding module with audio tracking