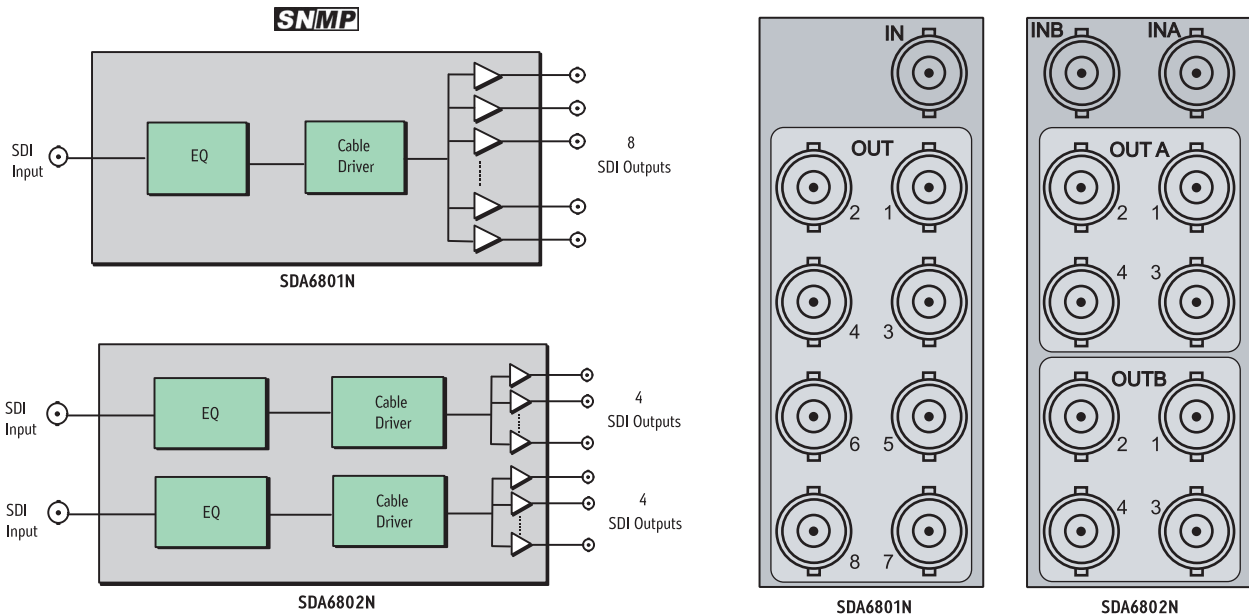


SDA6801N/SDA6802N

SD-SDI Equalizing Distribution Amplifier

The SDA6801N/SDA6802N is a SD-SDI video distribution amplifier module with equalization, and provides a low cost solution in which relocking is not required. These modules can compensate for 300 meter of Belden 8281 cable transmission loss. The SDA6801N has one input and eight outputs, and the SDA6802N has two inputs; each with four outputs, or it can be set for eight outputs via a jumper.



Features

- Low cost 8-channel SDI video distribution amplifier
- Compensating 300 meter of Belden 8281 cable transmission loss
- Input equalization

Specifications

SDI Video Input

Signal Type: SDI, ASI
 Connector: BNC (IEC169-8)
 Impedance: 75 ohm
 Return Loss: >18 dB 5 MHz to 540 MHz
 Cable Equalization: 300 m Belden 8281

Power Consumption

Power: SDA6801N: 1.5 W; SDA6802N: 2.2W
 Positive Rail: SDA6801N: 200mA; SDA6802N: 300mA
 Negative Rail: SDA6801N: 0; SDA6802N:0

SDI Video Output

Output: SDI:8; ASI:4
 Signal: SDI, ASI
 Connector: BNC(IEC169-8)
 Impedance: 75 ohm
 Return Loss: >18 dB to 540 MHz
 Signal Level: 800 mV +/- 10%
 DC Offset: 0.0 V +/- 0.5V
 Rise and Fall Time: 400 - 1500 pS (20% to 80% of amplitude)
 Overshoot: < 10% of amplitude
 Jitter: <0.2 UI (740 ps) peak-to-peak

Ordering Information

SDA6801N

SD-SDI distribution with equalization, 1x8

SDA6802N

SD-SDI distribution with equalization, 2-1x4, or set 8 outputs via jumper

*Specifications are subject to change without notice.