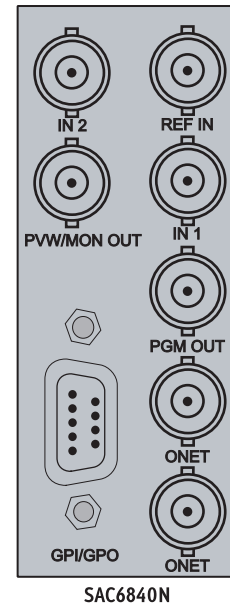
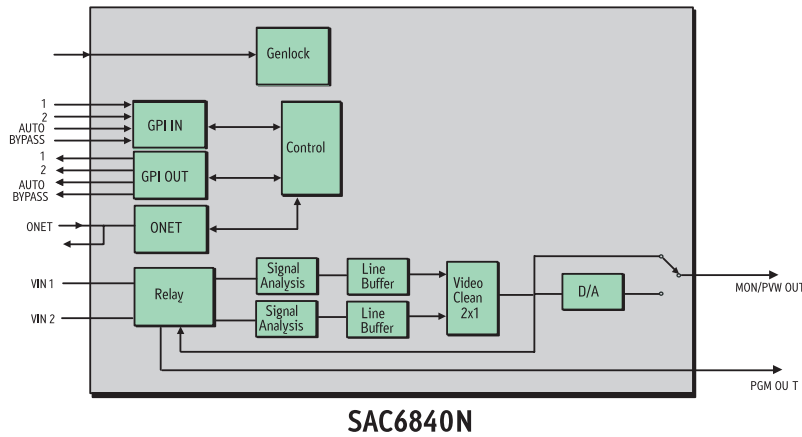


SAC6840N

SD-SDI Changeover Switcher with Clean Switching

The SAC6840N is a 2X1 SD-SDI/ASI auto changeover. The Changeovers are performed by a SAC6840N internal electronic switch with clean switch supporting. The signal is protected by the relays on a SAC6840N rear panel when there is power failure, and maintaining the selected signal at the output.

The input can be selected automatically or manually. Automatic signal selection is based on the monitoring of video signal, EDH, freeze frame, black field and audio group.



Features

- Two 525/625 SD-SDI and ASI inputs
- Electronic switcher with relay backup maintains selected input when power down
- Automatic mode based on video presence, EDH, freeze frame, black field and audio group presence and status
- Clean switching

Specifications

SDI Video Inputs

Number: 2 program inputs
 Standard: SMPTE 259M-C; 270 Mb/s, 525/625 component
 Connector: BNC(IEC 169-8)
 Impedance: 75 ohm
 Return Loss: >18 dB to clock frequency
 Signal Level: 800 mV +/-10%
 Equalization: Automatic up to 350m Belden-8281

SDI Video Outputs

Number: 1 output (Relay protected)
 Standards: 259 M-C; 270 Mb/s, 525/625 component
 Connector: BNC(IEC 169-8)
 Impedance: 75 ohm
 Return Loss: >18 dB to clock frequency
 Signal Level: 800 mV +/- 10%
 DC Offset: 0 V +/- 0.5 V
 Rise and Fall Time: 400-700 pS (20 to 80% famplitude)
 Overshoot: <10% of amplitude (all outputs terminated)
 Jitter: <0.2 UI pk-pk

Analog Composite Video Output

Standards : NTSC, PAL or PAL-M
 Level: 1Vp-p +/-3dB
 Impedance: 75 ohm
 Return Loss: >40 dB to 5 MHz
 DC Offset: 0V +/- 0.05 V
 Frequency Response: +/-0.2 dB to 5 MHz
 Differential Gain: <1%
 Differential Phase: <1.5°
 Group Delay: +/-10ns to 5 MHz

Analog Reference

Signal Type: Composite Sync or Composite Video
 Impedance: 75 ohm
 Input Level: 0.5 to 2 V

Power Consumption

Power: 5.0W
 Positive Rail: 750 mA
 Negative Rail: 15 mA

*Specifications are subject to change without notice.

Ordering Information

SAC6840N

SD-SDI changeover switcher with clean switching