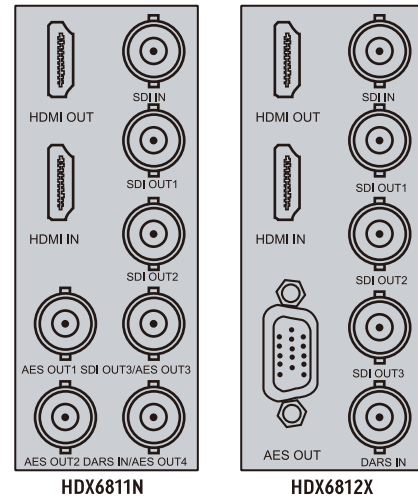
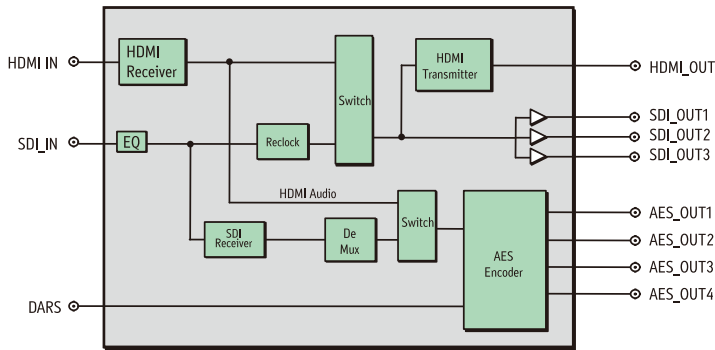


HDX6811N(3G)/HDX6812N(3G)

3G/HD-SDI Unbalanced/Balanced AES Audio De-embedding Module

HDX6811N/HDX6812N supports 1ch auto-sensing of 3G/HD/SD-SDI input or 1ch HDMI (supports HDCP) input and 1ch digital audio reference signal input. It supports 3ch 3G/HD/SD-SDI video output and 1ch HDMI output for monitoring. It supports 4 pairs AES/EBU balanced/unbalanced output. For each audio output, any of the 4 pairs embedded audio can be selected as output; meanwhile, other synthesized audio signal also can be selected as output. The 8 embedded audio meters can be used to monitor the 4 pairs AES/EBU output. Each module has its own distinctive feature stated below:

- HDX6811N HD-SDI Unbalanced AES Audio De-embedding Module
- HDX6811N-3G 3G/HD-SDI Unbalanced AES Audio De-embedding Module
- HDX6812N HD-SDI Balanced AES Audio De-embedding Module
- HDX6812N-3G 3G/HD-SDI Balanced AES Audio De-embedding Module



Features

- De-embedding of 3G/HD/SD-SDI input
- Supports 4 pairs (8ch) AES/EBU digital audio output
- Supports audio de-embedding of 3G, HD and etc
- SDI output after processing of equalization and re-clocking
- 1ch HDMI PVW output
- Audio source selectable for each output
- Auto-detection of video input and input status
- Supports 20bits and 24 bits audio processing
- 8ch audio meter display
- Supports test signals that can generate fixed frequency
- Supports audio level and phase adjustment
- Supports up to 2.7 seconds audio delay
- Supports audio gain, audio erasure, audio exchange and etc
- Supports error detection and reinsert of EDH/CRC
- Built-in video test signal generator and built-in audio test signal
- Detection of video loss, freeze and black field
- Network control

Specifications

SDI Video Input

Signal Format: SMPTE424M3G-SDI, SMPTE292M HD-SDI, SMPTE259M SD-SDI
Connector: BNC(IEC 169-8)
Resistance: 75Ω
Return Loss: >15dB, 5MHz to 3GHz;
Equalization: auto to 30Db@270 Mbps
Support Format: 480i, 576i, 1080i60, 1080i50, 1080Psf24, 1080p60, 1080p50, 1080p30, 1080p25, 1080p24, 720p60, 720p50

Digital Video Output

Signal Format: SMPTE424M3G-SDI, SMPTE292M HD-SDI, SMPTE259M SD-SDI
Connector: BNC (IEC 169-8)
Resistance: 75Ω
Return Loss: >15dB to 270MHz
Signal Level: 800 mV +/-10%
DC Offset: 0 V ± 0.5
Rise and Fall Time: 400 to 1500ps (20% to 80% of amplitude)
Overshoot: <10% of amplitude
Jitter: <0.2UI (740ps) peak, typical<500ps

Unbalanced Digital Audio Output (Applicable to HDX6811N only)

Connector: BNC(IEC 169-8)
Resistance: 75Ω
Output Level: 1.0 V +/-10% (peak to peak)
DC Offset: 0.0V±50.0mV
Rise and Fall Time: 30 to 44 ns (10% to 90% amplitude)
Return Loss: >25 dB, 0.1 to 6.0 MHz

Balanced Digital Audio Output (Applicable to HDX6812N)

Connector: 3-pin Connector
Input Level: 2.0 to 7.0 V (peak to peak)
Jitter: +/-20 ns
Rise and Fall Time: 5 to 30 ns (10% to 90%)
Impedance: 110Ω
CMRR: >30 dB below output signal (0 to 6 MHz)

HDMI Output

Connector: HDMI 1.3 (CEA-861-B) 2.25Gbps
Signal Format: 1080i60, 1080i50, 1080p60, 1080p50, 1080p30, 1080p25, 720p60, 720p50
Equalization: 0-30m

Ordering Information

HDX6811N

HD-SDI Unbalanced AES Audio De-embedding Module

HDX6811N-3G

3G/HD-SDI Unbalanced AES Audio De-embedding Module

HDX6812N

HD-SDI Balanced AES Audio De-embedding Module

HDX6812N-3G

3G/HD-SDI Balanced AES Audio De-embedding Module

HD6800-OPT-HO

HDMI Output Interface Board

*Specifications are subject to change without notice.