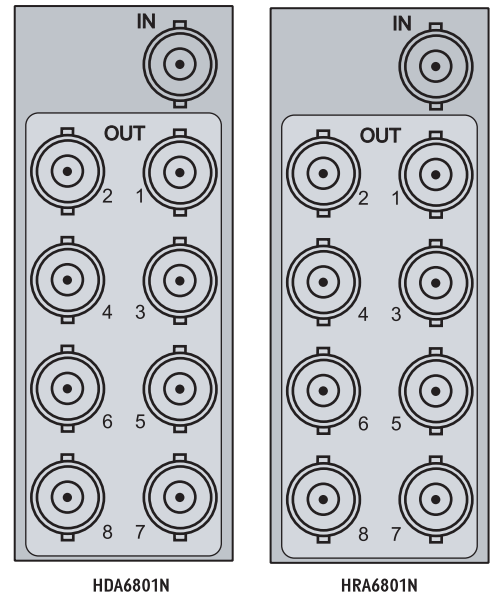
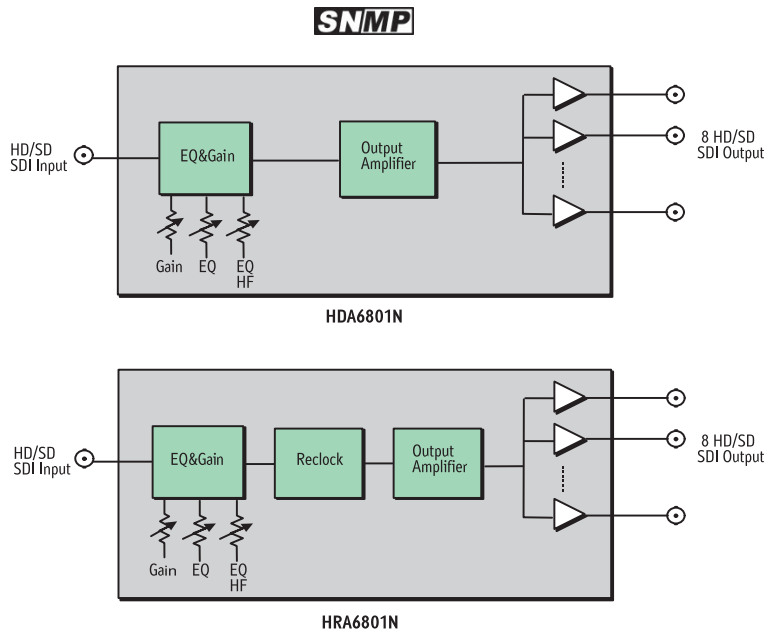


# HDA6801N/HRA6801N

## HD/SD-SDI Equalizing Distribution Amplifier

Both the HDA6801N and HRA6801N are HD/SD-SDI video distribution amplifiers. The HDA6801N is a DA with equalization, while the HRA6801N is a reclocked DA with equalization.



### Features

- One HD/SD-SDI input, eight outputs
- Video input with auto-detect and input status feedback
- Automatic cable equalization
- Reclocking function (Applicable to HRA6801 only)

### Specifications

#### SDI Video Input

**Signal Type:** HD-SDI, SD-SDI  
**Connector:** BNC( IEC 169-8)  
**Impedance:** 75 ohm  
**Return Loss:** >18 dB 5MHz to 1.5 GHz  
**Cable Equalization:** SD-SDI: 0-300 m Belden 1694A or equivalent  
 HD-SDI: 0-100 m Belden 1694A or equivalent

#### SDI Video Output

**Numbers of Output:** 8  
**Signal Type:** HD-SDI, SD-SDI  
**Connector:** BNC(IEC 169-8)  
**Impedance:** 75 ohm

#### Performance

**Return Loss:** >18 dB 5 MHz2 to 1.485 GHz typical  
 >15 dB 5 MHz2 to 1.485 GHz worst case  
**Signal Amplitude:** 800mV +/- 10%  
**DC Offset:** 0.0 V +/- 0.5 V  
**Rise and Fall Time:** SD-SDI: 400 to 700 ps  
 HD-SDI: <270 ps  
**Overshoot:** <10%

#### Power Consumption

**Power:** 2.2W  
**Positive Rail:** 300 mA  
**Negative Rail:** 0 mA

### Ordering Information

#### HDA6801N

HD-SDI Equalizing Distribution Amplifier 1x8

#### HRA6801N

HD-SDI Reclocked Distribution Amplifier 1x8

\*Specifications are subject to change without notice.