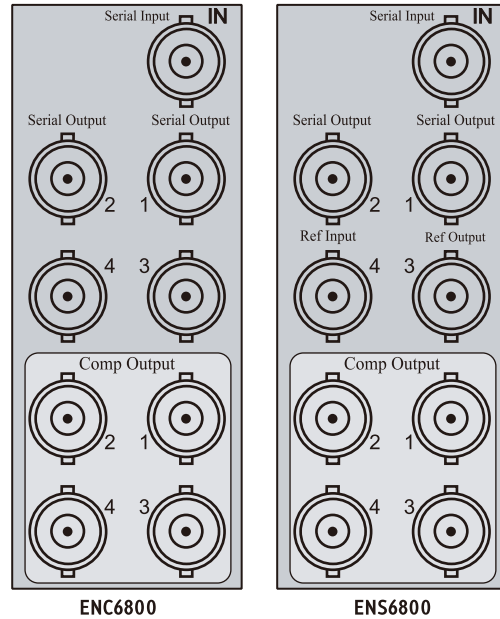
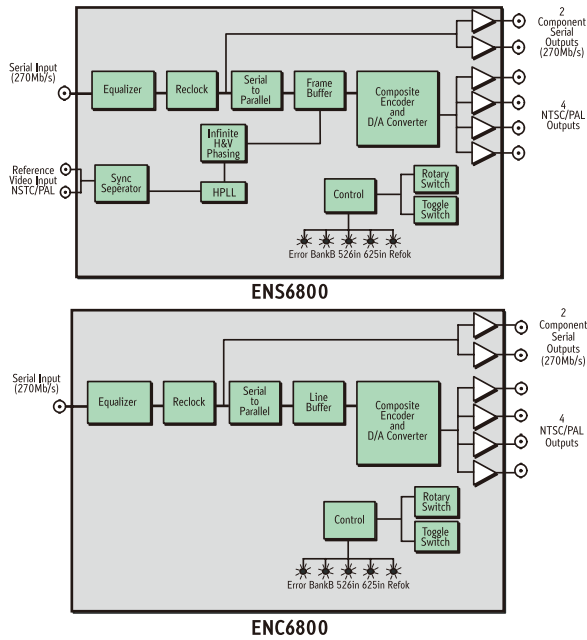


# ENC6800/ENS6800

## SD-SDI to NTSC/PAL Encoder

ENC6800 is a broadcast encoder, which converts a NTSC/PAL 4:2:2 SD-SDI signal to an analog composite video signal. It features 4 analog composite video outputs, a 10-bit precision encoder, an auto-sensing of 525 line NTSC or 625 line PAL together with the latest encoding technology (supports NTSC or PAL) and the 4X oversampling and jitter removal technology to guarantee the quality of the output signal. Other than above functions, ENS6800 has a built-in synchronizer, which can be installed in to the main board directly.



### Features

- Automatic or manual switch for NTSC/PAL
- 4X oversampling
- 10-bit internal processing
- Four channels of analog composite video outputs
- External NISTC or PAL BB reference input
- Manifold Processing amplifier control
- Built-in 4:2:2 frame synchronizer (only applicable to ENS6800)

### Specifications

#### Serial Digital Video Input

**Standards:** SMPTE 259M-C; 270Mb/s, 525/625 component  
**Connector:** BNC(IEC169-8)  
**Impedance:** 75 ohm  
**Return Loss:** >18dB to 270M  
**Signal Level:** 800mV +/-10%  
**CMR Ratio:** 30Vp-p, to 60 Hz  
**Equalization:** Automatic to 30dB, SMPTE 259M-C

#### Serial Digital Video Output

**Number of Inputs:** 2  
**Standards:** SMPTE 259M-C; 270Mb/s, 525/625 component  
**Connector:** BNC per IEC169-8 standard  
**Impedance:** 75 ohm  
**Return Loss:** >18dB to 270M  
**Signal Level:** 800mV +/-10%  
**DC Offset :** 0V +/-0.5V  
**Rise and Fall Time:** 0.4 to 0.7ns(20% to 80% of amplitude)  
**Overshoot :** <10% of amplitude (all output terminated)  
**Jitter:** <0.3ns

#### Analog Video Output

**Number of Outputs:** 4  
**Standards:** NTSC, PAL  
**Level:** 1Vp-p  
**Impedance:** 75 ohm  
**Connector:** BNC( IEC169-8)  
**Return Loss:** >40dB to 5.75MHz  
**Output Filter:** Per CCIR601 standard  
**Differential Gain:** 0.7%  
**Differential Phase:** 0.5°  
**Group Delay:** <10ns to 5.75MHz  
**S/N Ratio:** >60dB to 5MHz  
**Quantization:** 10 bits

#### Reference Input

**Signal Type:** NISTC/PAL analog composite  
**Connector:** BNC( IEC169-8 )  
**Impedance:** High loop through

#### Power Consumption

**Power:** 6.8W  
**Positive Rail:** 1000mA  
**Negative Rail:** 40mA

\*Specifications are subject to change without notice.

### Ordering Information

#### ENC6800

SDI to NTSC/PAL Encoder

#### ENS6800

SDI to NTSC/PAL Encoder with frame synchronizer