

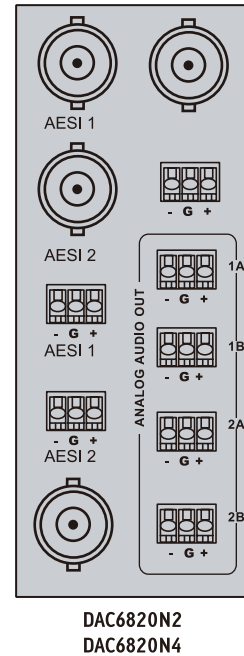
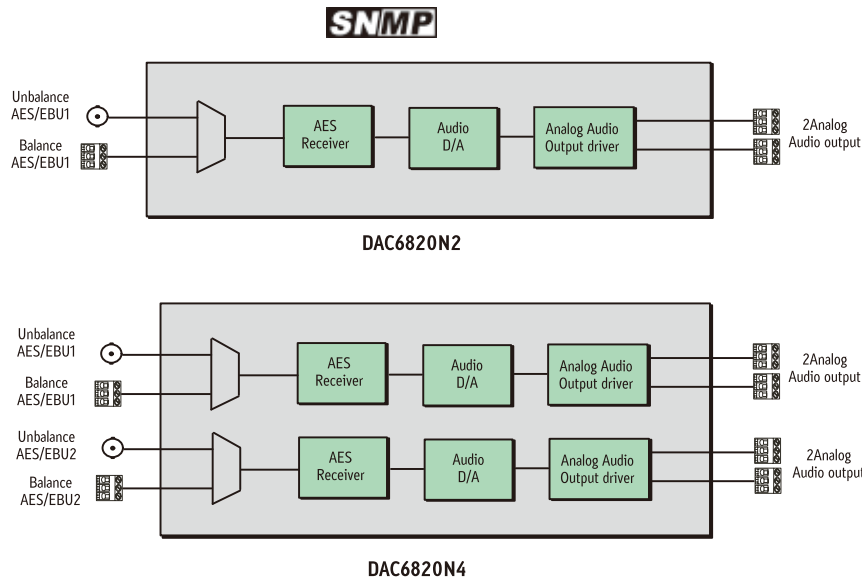
# DAC6820N2/DAC6820N4

## Balanced/Unbalanced AES to Analog Audio Converter

The DAC6820N/DAC6820N4 is an audio D to A converter.

DAC6820N2: One balanced/unbalanced AES audio input, two balanced analog audio output.

DAC6820N4: Two balanced/unbalanced AES audio input, four balanced analog audio output.



### Features

- One/two balanced and unbalanced AES input
- Two/four balanced analog audio outputs
- 32KHz~96KHz sampling frequency
- 16, 20, 24-bit audio processing
- Selectable analog audio output level
- Status indicator
- Local/remote control and monitoring

### Specifications

#### Balanced AES Inputs

**Number of Inputs:** DAC6820N2: 1 DAC6820N4:2  
**Standard:** AES3- 1992 (r1997)  
**Connector:** 3-pin connector (male)  
**Impedance:** 110 ohm $\pm$ 20%  
**Signal Level:** 2 to 7 V pk-to-pk  
**Minimum Signal level:** 200 mV as per AES3  
**Sampling Frequency:** Supports 32 kHz to 96 kHz  
**CMR Ratio:** Up to 7 V pk-to-pk, from DC to 20 kHz

#### Unbalanced AES Inputs

**Standard:** AES3-1992 (r1997), AES3-id-2001, SMPTE276M  
**Connector:** BNC(IEC169-8)  
**Number of Inputs:** DAC6820N2:1 DAC6820N4: 2  
**Impedance:** 75 ohm  
**Signal Level:** 1 V pk-to-pk,  $\pm$ 10%  
**Minimum Signal level:** 100 mV as per SMPTE276M  
**Return Loss:** >25 dB, 0.1 to 6 MHz  
**Sampling Frequency:** Supports 32 kHz to 96 kHz

#### Balanced Analog Audio Outputs

**Type:** Electronic, balanced  
**Connector:** 3-pin connector (male)  
**Output Level Setting Range:** +16 dBu to +28 dBu  
**Maximum Output level:** 0 dBFS = +28 dBu  
**Output Impedance:** 66 ohm  
**THD + N:** <-85 dB@ 1 kHz, -1 dBFS = +23 dBu  
**Crosstalk:** <-95 dB, 20 Hz to 20 kHz, typical  
**SNR:** >100 dB @ 0dBFS

#### Power Consumption

**Power:** 2.3W  
**Positive Rail:** 350 mA  
**Negative Rail:** 10mA

*\*Specifications are subject to change without notice.*

### Ordering Information

#### DAC6820N2

Balanced/unbalanced AES to 2 channels analog audio converter

#### DAC6820N4

Balanced/unbalanced AES to 4 channels analog audio converter