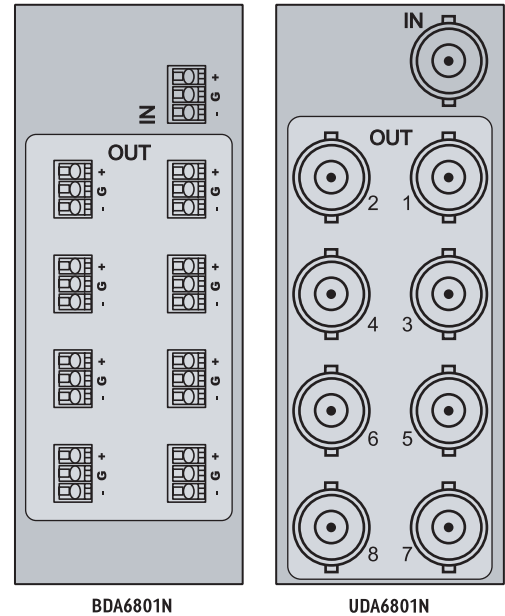
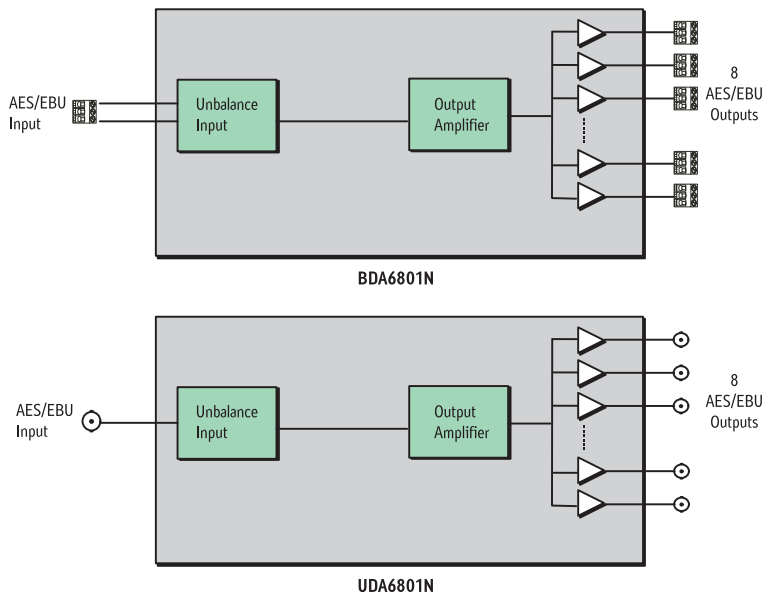


BDA6801N/UDA6801N

Balanced/Unbalanced AES Audio Distribution Amplifier

The BDA6801N/UDA6801N is a multi-channel digital audio distribution module.

The BDA6801N has one channel for balanced digital audio input, and 8 channels for balanced digital audio outputs by distributing and amplifying. The UDA6801N has one channel for unbalanced digital audio input and 8 channels for unbalanced digital audio outputs, by distributing and amplifying.



Features

- One channel balanced/unbalanced digital audio input, and 8 channels balanced/unbalanced digital audio outputs
- Low cost, high reliability, high quality audio distribution amplifier
- Support hot-swappable and many kinds of alarm indication

Specifications

Balanced Digital AES Audio Input Specifications (applicable to BDA6801N)

Connector: 3-pin connector (male)
 Impedance: 110Ω
 Standard: AES 3:1992,AES3id:1995,SMPTE276M
 Rise and Fall Time: 5 to 30ns

Balanced Digital AES Audio Onput Specifications (applicable to BDA6801N)

Connector: 3-pin connector (male)
 Output Level: 2.0 to 7.0 V (peak to peak)
 Jitter: +/-20 ns
 Rise and Fall Time: 5 to 30 ns (10% to 90% of amplitude)
 Impedance: 110Ω+/- 20% (0.1 to 6 MHz)
 CMR Ratio: >30 dB below output sign

Unbalanced Digital AES Audio Input Specifications (applicable to UDA6801N)

Connector: BNC(IEC 169-8)
 Impedance: 75Ω
 Standard: AES 3:1992,AES3id:1995,SMPTE276M
 Rise and Fall Time: 30 to 44ns

Unbalanced Digital AES Audio Output Specifications (applicable to UDA6801N)

Connector: BNC(IEC 169-8)
 Output Level: 1.0 V +/-10% (peak to peak)
 DC Offset: 0.0V±50.0mV
 Rise and Fall Time: 30 to 44 ns (10% to 90% of amplitude)
 Impedance: 75Ω
 Return Loss: >25 dB, 0.1 to 6.0 MHz

Ordering Information

BDA6801N

Balanced AES Audio Distribution Amplifier

UDA6801N

Unbalanced AES Audio Distribution Amplifier

*Specifications are subject to change without notice.