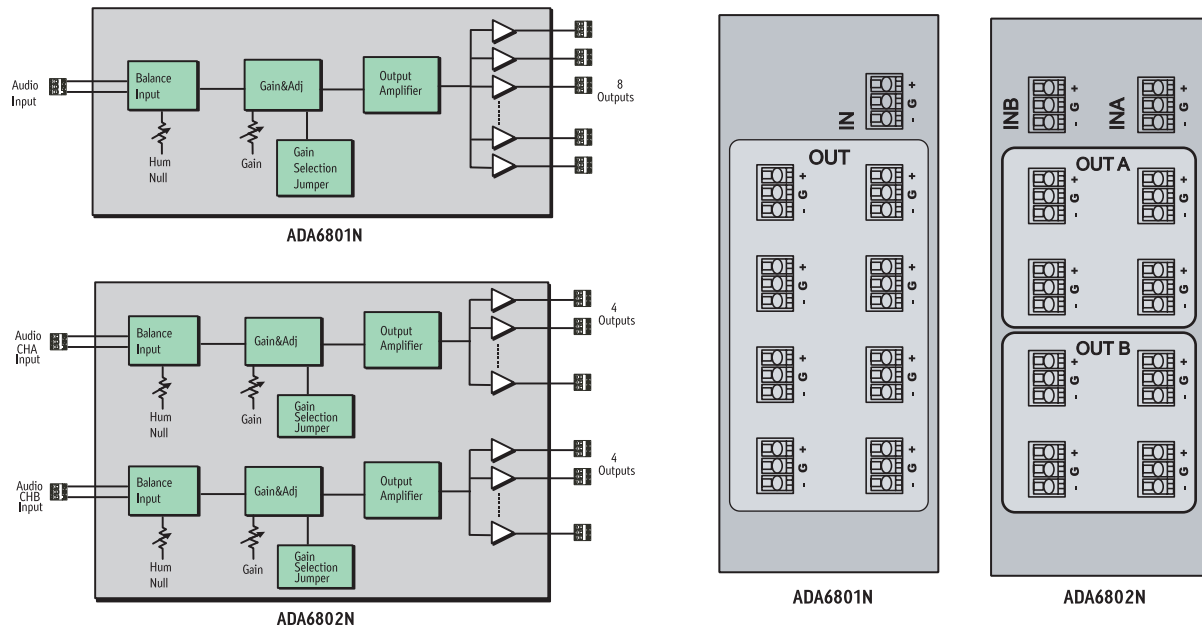


# ADA6801N/ADA6802N

## Analog Audio Distribution Amplifier

The ADA6801N/ADA6802N is an analog audio distribution amplifier module. The ADA6801N has one input and eight outputs; and the ADA6802N has two inputs each with four outputs, or it can be set for eight outputs via jumper.

The ADA6801N/ADA6802N adopt independent output module to ensure the excellent isolation between channels. Both of the modules feature a high signal to noise ration: flat frequency response and low distortion.



### Features

- Dedicated integrate circuit used results in the decrease in number of components and improvement in reliability
- +28dBu maximum output level
- -6~+33dB gain range for adjustment
- Low cost, high quality audio distribution amplifier

### Specifications

#### Balanced Analog Audio Input

Connector: 3-pin connector  
 Signal Type: Balanced  
 Input Impedance: >30KΩ  
 Maximum Input Level: +28 dBu  
 CMR Range: +/-20V  
 CMR Ratio: 90 dB @ 60 Hz  
 Gain Range: -6~+33dB

#### Balanced Analog Audio Output

Number of Outputs: 8  
 Connector: 3-pin connector  
 Signal Type: Balanced  
 Output Impedance: 66 ohm  
 Maximum Output level: +28 dBu

#### Performance

SNR: >90 dB @ unity gain, 20 Hz to 20 kHz relative to +8 dBu signal, unweighted  
 Frequency Response: +/-0.05 dB 20 Hz to 20 kHz relative to 1 kHz @ unity gain  
 THD: <0.02%, SMPTE @ +18 dBu  
 Crosstalk: >85 dB isolation, 20 Hz to 20 kHz  
 Output Isolation: >70 dB, 20 Hz to 20 kHz

#### Power Consumption

Power: ADA6801N:2W ADA6802N:3.25W  
 Positive Rail: ADA6801N:300mA ADA6802N: 500mA  
 Negative Rail: ADA6801N:0mA ADA6802N: 0mA

\*Specifications are subject to change without notice.

### Ordering Information

#### ADA6801N

Analog audio distribution amplifier 1x8

#### ADA6802N

Dual analog audio distribution amplifier 2-1x4, or set 8 outputs via jumper